

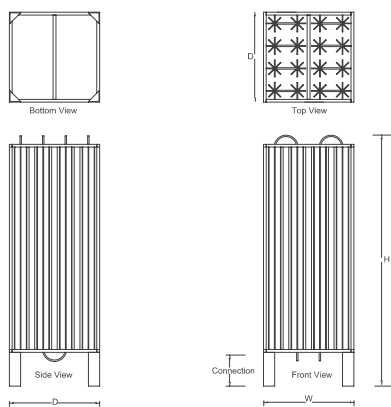
# CRYOTRONIX

## Cryogenic Ambient Vaporizer

Series VFA is a lightweight, finned ambient vaporizer that converts cryogenic liquids into gas by natural convection heat transfer. Requiring no external power, these low cost units present a reliable and economical method of vaporization. *Cryotronix* vaporizers are supplied in a wide range of sizes for most industrial gases, with capacities from 1000 to 70,000 SCFH.

## Series VFA

VFA vaporizers are fabricated from aluminum alloy extrusions designed for maximum heat transfer and rated for up to 6000 psi. The modular design permits addition and upgrade of components to satisfy changing requirements.



Series	Code	Gas	Pressure (psig)	Fin height (feet)	Clearance (inches)	Inlet & Outlet Ports	Note
VFA-	01 = 1000 scfh 02 = 2000 scfh 05 = 5000 scfh 10 = 10000 scfh 36 = 36000 scfh 64 = 64000 scfh	H = H <sub>2</sub> N = N <sub>2</sub> O = O <sub>2</sub> R = Ar Specify	1 = 150 2 = 450 3 = 800 4 = 3000 5 = Specify	06 = 6 ft. 09 = 9 ft. 18 = 18 ft.	18 = 18 " 24 = 24 " 30 = 30 "	C=Compression F=Flanged N=NPT B=Butt Weld S=Socket Weld	Other sizes and configurations available . Please consult Cryotronix .
Example : VFA10N3-0918F will denote a 10,000 scfh capacity nitrogen ambient vaporizer with 9' fins and 18" ground clearance							
Optional features available							
Automatic switchover valves C Low temperature alarm and cut-off C Electric defrost module C Integral isolation valves							
Call Cryotronix to design the ambient vaporizer system that best suits your application requirement .							

Bulletin 99L095